

Flat-pack

Work and wash tables

Flat-pack tables are supplied disassembled and packed in carton boxes. The tables are easy and quick to assemble with the instructions included. Small package size saves transportation space. Wide range of stock units for quick deliveries.

Tables are made of strong and easy to clean stainless steel 18/10 1.4301. Two depths of tables, 650 and 700 mm. Frame and legs 30x30 mm stainless steel tubing. Tabletop 1,0 mm - 1,2 mm stainless steel (SFS 725) with 30 mm edge profile. Tabletop is supported with stainless steel tubes. Noise insulation between frame and tabletop.



ACCESSORIES

- Wall fastening
- Extra shelves to cupboards
- Cutting board rack
- Abloy locks for cupboards H-1, H-2
- Waste bin trolley 2x10 l with plastic bins
- Splashback
- Bottom valve and overflow closing valve to basins

Accessories increase package size.

STANDARD FLAT-PACK UNITS

Stock lengths marked with blue

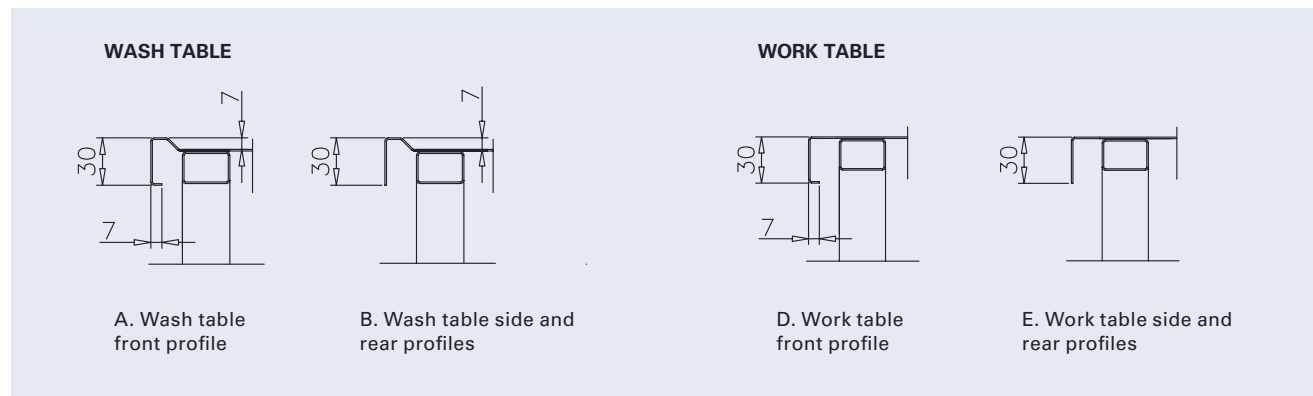
Accessory	500	600	700	800	900	1000	1100	1200	1300	1400	1500	1600	1700
RH-320				x				2x	x	x			
RH-400	x				2x	x		x	x		x		4x
RH-480		x	x			x	2x		x	2x	2x	3x	
LH-320				x				2x	x	x			
LH-400	x				2x	x		x	x		x		4x
LH-480		x	x			x	2x		x	2x	2x	3x	
L-1	x	x	x	x	2x	2x	2x	2x	3x	3x	3x	3x	4x
L-3	x	x	x	x	2x	2x	2x	2x	3x	3x	3x	3x	4x
L-4	x	x	x	x	2x	2x	2x	2x	3x	3x	3x	3x	4x
H-1	x	x	x	x	2x	2x	2x	2x	3x	3x	3x	3x	4x
H-2					x	x	x	x	x	x	x	x	2x
Basin P414	x	x	x	x	x	x	x	x	x	x	x	x	x
Basin P520					x	x	x	x	x	x	x	x	x



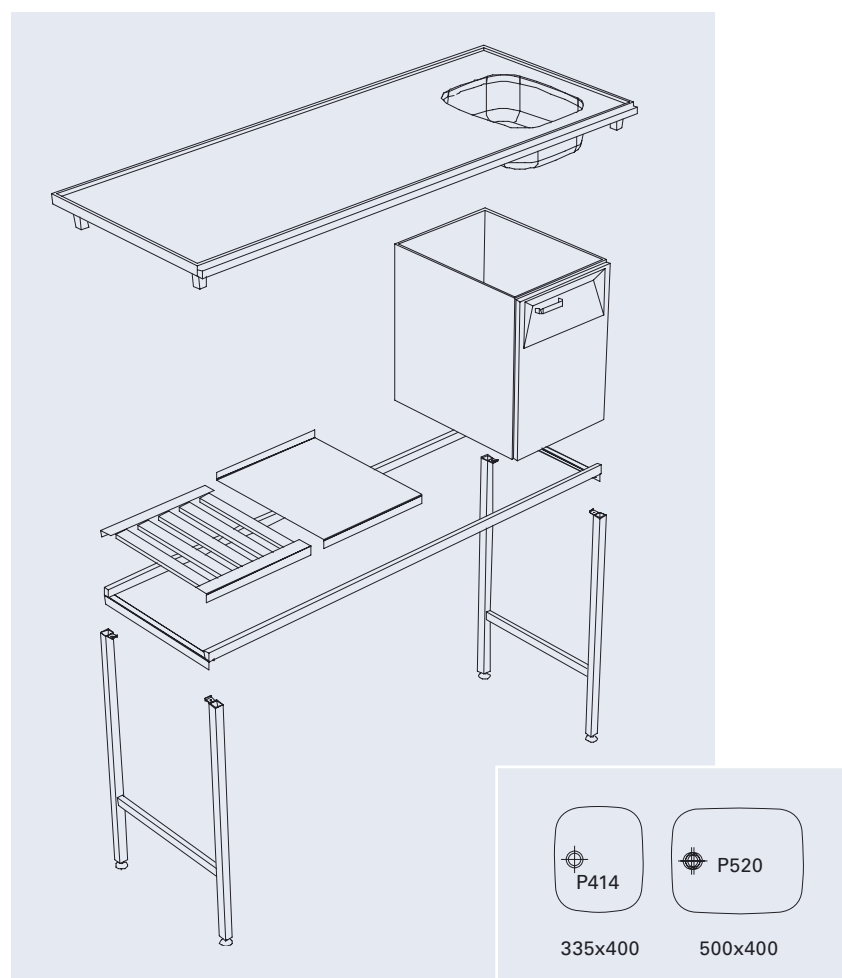
HACKMAN

Profiles

Standard profiles are presented in the drawings. Also splashback available on special request.



Construction



Hackman

Furniture factory

FI – 79130 SORSAKOSKI, Finland

Sales: tel. +358 (0) 204 39 4901

Planning: tel. +358 (0) 204 39 4909

Fax +358 (0) 204 39 4916

E-mail: firstname.surname@hackman.com

www.hackman.com